

PQ 3000

Pump with peripheral impeller



PERFORMANCE RANGE

- Flow rate up to **50 l/min** (3 m³/h)
- Head up to **180 m**

APPLICATION LIMITS

- Manometric suction lift up to **8 m**
- Liquid temperature between **-10 °C** and **+90 °C**
- Ambient temperature between **-10 °C** and **+40 °C**
- Max. working pressure **18 bar**
- Continuous service **S1**

CONSTRUCTION AND SAFETY STANDARDS

EN 60034-1
IEC 60034-1
CEI 2-3



CERTIFICATIONS



INSTALLATION AND USE

Suitable for use with clean water and liquids that are not chemically aggressive towards the materials from which the pump is made. The hydraulic characteristics of this pump, coupled with its compactness, make it suitable for use in the industrial applications. The pump should be installed in an enclosed environment, or at least sheltered from inclement weather.

PATENTS - TRADE MARKS - MODELS

- Motor bracket: patent n° IT1243605

OPTIONALS AVAILABLE ON REQUEST

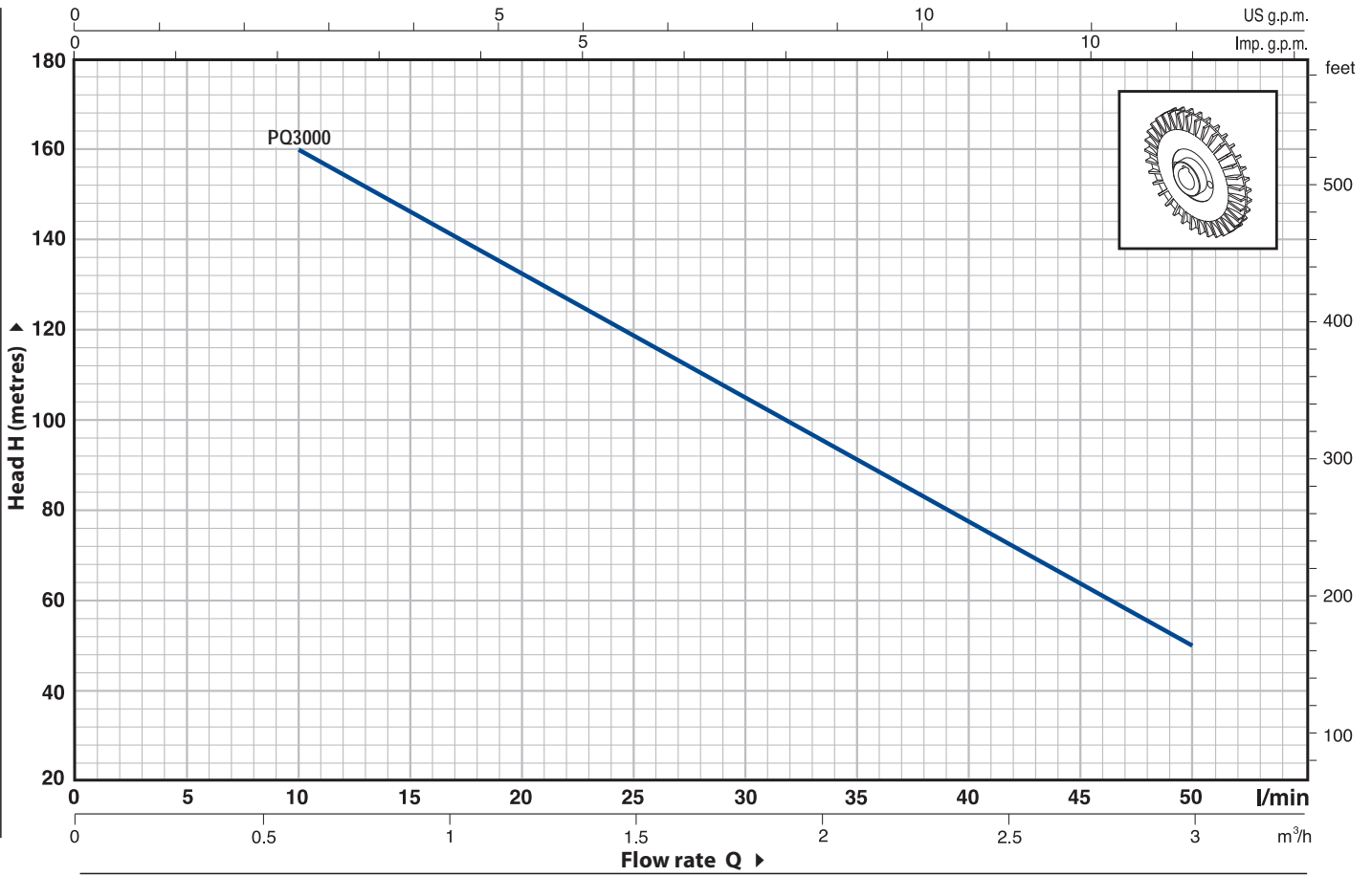
- Special mechanical seal
- EN 10088-3 - 1.4401 (AISI 316) stainless steel motor shaft
- Other voltages or 60 Hz frequency

GUARANTEE

2 years subject to terms and conditions

CHARACTERISTIC CURVES AND PERFORMANCE DATA

50 Hz n= 2900 1/min HS= 0 m



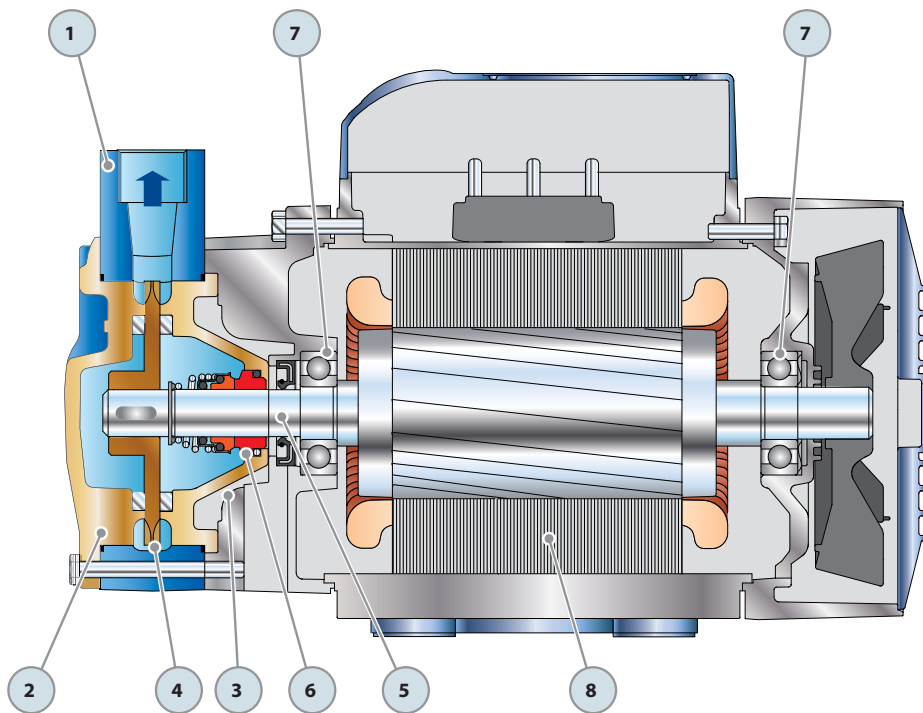
MODEL	POWER		Q	Flow rate									
	kW	HP		0	0.6	0.9	1.2	1.5	1.8	2.1	2.4	2.7	3.0
Three-phase				0	10	15	20	25	30	35	40	45	50
PQ 3000	2.2	3	H metres	180	160	145	132	118	105	92	78	63.5	50

Q = Flow rate H = Total manometric head HS = Suction height

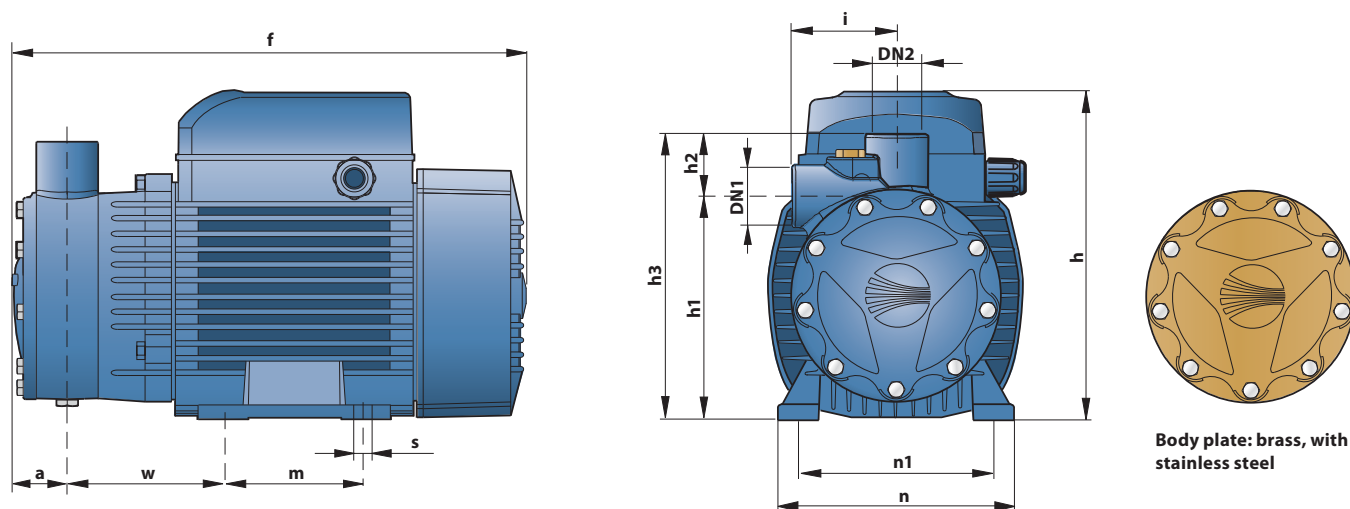
Tolerance of characteristic curves in compliance with EN ISO 9906 App. A.

PQ 3000

POS.	COMPONENT	CONSTRUCTION CHARACTERISTICS															
1	PUMP BODY	Cast iron, complete with threaded ports in compliance with ISO 228/1															
2	BODY PLATE	Brass, with stainless steel shim disc															
3	MOTOR BRACKET	Aluminium, with brass insert and stainless steel shim disc that reduces the risk of impeller seizure															
4	IMPELLER	Bronze, with peripheral radial vanes															
5	MOTOR SHAFT	Stainless steel EN 10088-3 - 1.4104															
6	MECHANICAL SEAL	<table border="1"> <thead> <tr> <th>Seal</th> <th>Shaft</th> <th colspan="3">Materials</th> </tr> <tr> <th>Model</th> <th>Diameter</th> <th>Stationary ring</th> <th>Rotational ring</th> <th>Elastomer</th> </tr> </thead> <tbody> <tr> <td>FN-18 NU</td> <td>Ø 18 mm</td> <td>Graphite</td> <td>Ceramic</td> <td>NBR</td> </tr> </tbody> </table>	Seal	Shaft	Materials			Model	Diameter	Stationary ring	Rotational ring	Elastomer	FN-18 NU	Ø 18 mm	Graphite	Ceramic	NBR
Seal	Shaft	Materials															
Model	Diameter	Stationary ring	Rotational ring	Elastomer													
FN-18 NU	Ø 18 mm	Graphite	Ceramic	NBR													
7	BEARINGS	6204 ZZ - C3 / 6204 ZZ - C3															
8	ELECTRIC MOTOR	<p>PQ 3000: three-phase 230/400 V - 50 Hz.</p> <p>⇒ Pump fitted with the three-phase motor option offers IE2 (IEC 60034-30) class high performance</p> <ul style="list-style-type: none"> – Insulation: H class. – Protection: IP 55. 															



DIMENSIONS AND WEIGHT



MODEL	PORTS		DIMENSIONS mm											kg		
	DN1	DN2	a	f	h	h1	h2	h3	i	m	n	n1	w		s	
Three-phase																3~
PQ 3000	¾"	¾"	34	329	212	142	38	180	65	100	164	125	97	9	18.8	

ABSORPTION

MODEL	VOLTAGE (three-phase)			
	Three-phase	230 V	400 V	240 V
PQ 3000	11.5 A	6.6 A	10.8 A	6.2 A

PALLETIZATION

MODEL	GROUPAGE			CONTAINER		
	n° pumps	H (mm)	kg	n° pumps	H (mm)	kg
PQ 3000	72	1840	1380	84	2114	1600

